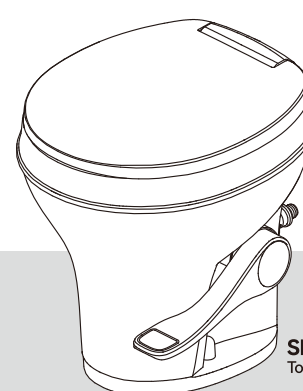
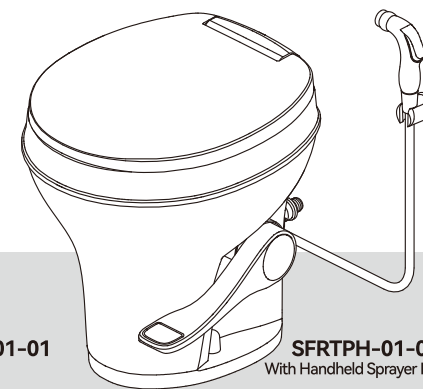


SEAFLO[®]

Residential Height RV Toilet Instruction Manual



SFRTPH-01-01
Toilet Only



SFRTPH-01-02
With Handheld Sprayer Kit

Seaflo Residential Height RV Toilet is a classic style RV toilet suited for all recreational vehicles. Comfortable seat and height give you a home-like experience. Gravity flush system - efficient foot pedal operation with adjustable water volume. Slick anti-stick oversized bowl allows for easy flushing.

Model	Size	Accessories	Dimension
SFRTPH-01-01	Standard Height - 18.5"	No	452x388x468mm
SFRTPH-01-02	Standard Height - 18.5"	Handheld sprayer kit	452x388x468mm

FEATURES

- Sleek, lightweight and durable modern design
- Residential height with elongated inner seat and bowl - brings at home comfort to your rv
- Ergonomic foot pedal allows for easiest in-class activation with adjustable water flow
- Soft close seat and cover - prevents slamming when in motion
- Slick anti-stick oversized bowl allows for easy flushing
- Easy to install - mounting brackets engineered for easier accessibility and faster installation

INSTALLATION

1. Installing the New Floor Flange (pic 1)

Place the new floor flange into the outlet hole and secure it to the floor with a minimum of four screws (eight are preferred).

2. Inserting the T-bolts Two installation methods (pic 2)

Insert the new floor mounting T-bolts into the slots in the floor flange.

3. Installing the Floor Flange Seal (pic 3)

3.1 Install the new floor flange seal to the base of the toilet .

3.2 Carefully position the toilet over the floor flange.

4. Securing the New Toilet (pic 4)

5. Align the holes in the toilet base with the floor mounting T-bolts as you lower the toilet onto the floor flange.

▲ Be sure the entire outlet drain of the toilet base fits inside the floor flange outlet hole to avoid leaks.

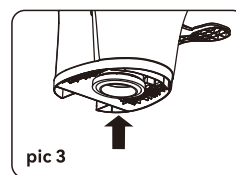
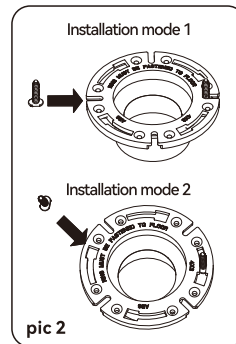
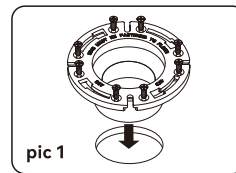
▲ The toilet base might not rest evenly against the floor yet. The floor flange seal will compress as you complete the following steps.

6. Place the new floor mounting washers and then the new floor mounting nuts onto the floor mounting T-bolts .

7. Tighten the floor mounting nuts . If a torque wrench is available, tighten them to 30–40 in. lb (3.4–4.5 N · m). Do not overtighten. Alternate between sides when tightening to prevent distortion. When the floor-mounting nuts are tight, the base of the toilet should be securely attached and flat against the floor.

8. Attach the floor mounting caps onto the floor mounting nuts .

▲ If the toilet is being installed in a shower stall (or other wet area), apply a bead of caulk around the base of the toilet to prevent water seepage under the base.



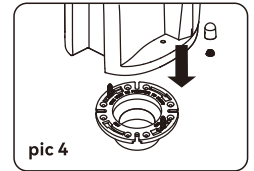
9. Connect the water supply line and torque the connection to 30–40 in. lb (3.4–4.5 N · m). Do not overtighten.

▲ If the water supply line comes out of the floor, install a 1/2 in. (13 mm) elbow fitting or adapter.

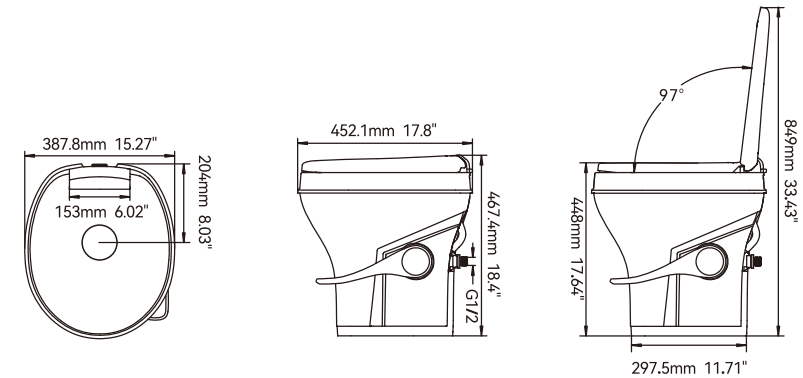
10. Turn on the water supply.

11. Flush the toilet several times and check for leaks.

12. Test for leaks by filling the bowl with water and letting it sit for an hour.



DIMENSION



OPERATION

1. Adding Water to the Bowl

Adding water to an empty bowl helps prevent holding tank odors from entering the living space. Adding water is recommended prior to flushing solids and toilet paper.

1.1 To add water to the toilet, depress the flush pedal part way. Water flows into the bowl while the flush ball remains closed.

1.2 If the flush ball moves, let up on the pedal slightly.

2. Flushing the Toilet

NOTICE: Flush only water, bodily wastes, and rapid-dissolving toilet tissue. Do not flush foreign objects. Do not flush wet wipes, sanitary napkins, diapers, paper cups, cotton swabs, food, hair, or liquids such as oils or solvents. Failure to follow these instructions could cause clogging or damage to the toilet or the toilet system.

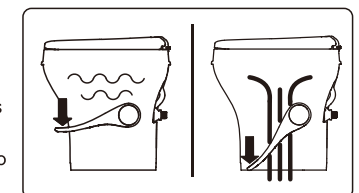
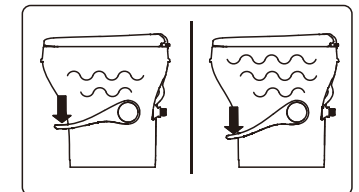
2.1 To flush, depress the pedal.

2.2 Release the pedal after a complete flush.

- When flushing liquids, depress the pedal for approximately 1–2 seconds.
- When flushing solids, depress the pedal until the contents of the bowl rinses from the bowl.

Flushing longer than necessary will cause the holding tank to fill too quickly. A small amount of water will collect in the bowl after a flush to create an airtight seal.

So that holding tank odors do not enter the living space, make sure 1 in. (24 mm) of water remains in the toilet bowl. Depending on the plumbing system and user operation, adding water may be required to achieve this water depth.



WINTERIZING AND STORING THE TOILET

⚠ WARNING: POISON HAZARD.

Do not use automotive-type antifreeze (ethylene glycol) in freshwater systems. Failure to obey this warning could result in death or serious injury.

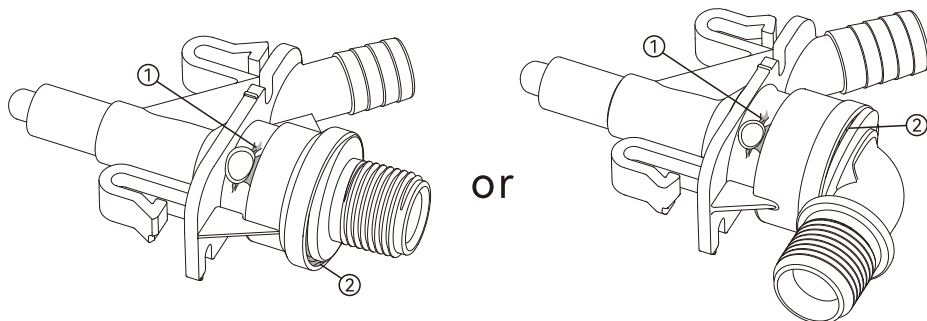
⚠ CAUTION: BODILY HARM HAZARD.

This toilet is not intended for use when exposed to temperatures below freezing. Failure to obey this caution could result in minor or moderate injury.

NOTICE: The toilet warranty expressly excludes coverage for any damages to the toilet or the vehicle that may occur due to improper winterization of the toilet. Freeze damage that results in leaks to the water valve is an indicator of improper winterization.

Preventing a Frozen Water Valve

Identifying a Damaged Water Valve



The installation methods of the two inlet valves are the same.

① Freeze Damage ② Water Valve Damage

These toilet water valves exceed the applicable standards for maximum water pressure as defined by the North American plumbing code agencies. However, if trapped water freezes in the piping that supplies water to the toilet, it expands and creates extremely high pressure that can damage the valve.

If the freeze damage indicator window (1) has white stress marks, it indicates freeze-damage. Water valve damage is due to severe exposure to below-freezing temperatures.

To avoid damage, winterize the toilet as described in this manual. If freeze damage occurs as a result of improper winterization, replace the water valve with seaflto toilet water valve kit.

If the water valve is returned for a warranty claim, SEAFLO reserves the right to deny the claim if the problem is caused by freeze damage.

Use nontoxic antifreeze (propylene glycol) designated for potable water systems.

When a toilet may be exposed to temperatures below freezing, the toilet must be winterized using the "Non-toxic Antifreeze Winterization Method" or the "Drain Water from the Toilet Method". When a toilet is stored for long periods of time, or the water becomes stagnant, flush the system using the "Drain Water from the Toilet Method".

Non-toxic Antifreeze Winterization Method

This is the recommended method.

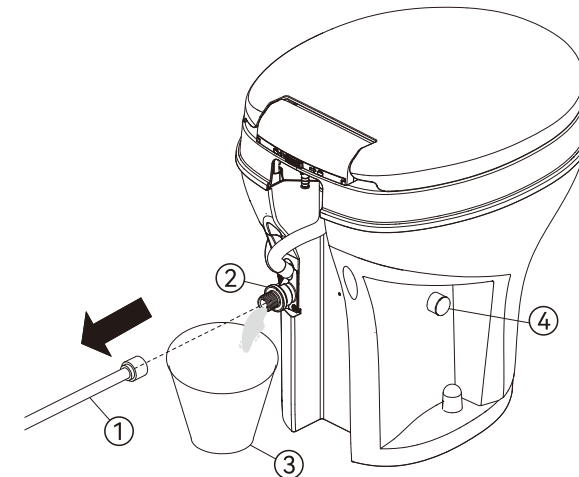
1. Pour non-toxic antifreeze into the potable water tank according to the instructions from the antifreeze manufacturer.
2. Flush the toilet (several times) until the antifreeze has flowed completely through the toilet.

Drain Water from the Toilet Method

1. Turn off the water supply to the toilet.

Removing the water supply

- | | |
|---------------------|--------------------------------------|
| ① water supply line | ② small bucket |
| ③ water inlet valve | ④ pivot point for the ball pivot arm |



2. Remove the water supply line from the water valve.
3. Place a small bucket under the water valve inlet to catch draining water.
4. Depress the flush pedal and allow water to completely drain from the water valve and vacuum breaker.
5. Leave the water line disconnected until the threat of freezing temperatures is past.

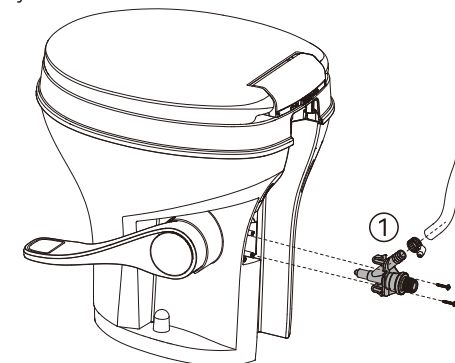
NOTICE: Do not leave the RV unoccupied for extended periods of time with a municipal water supply connected, or with the onboard water pump turned on, when there is a possibility of freezing temperatures.

Replacing the Water Valve

Refer to the detailed replacement instructions in the water valve replacement kit before removing or installing a water valve assembly.

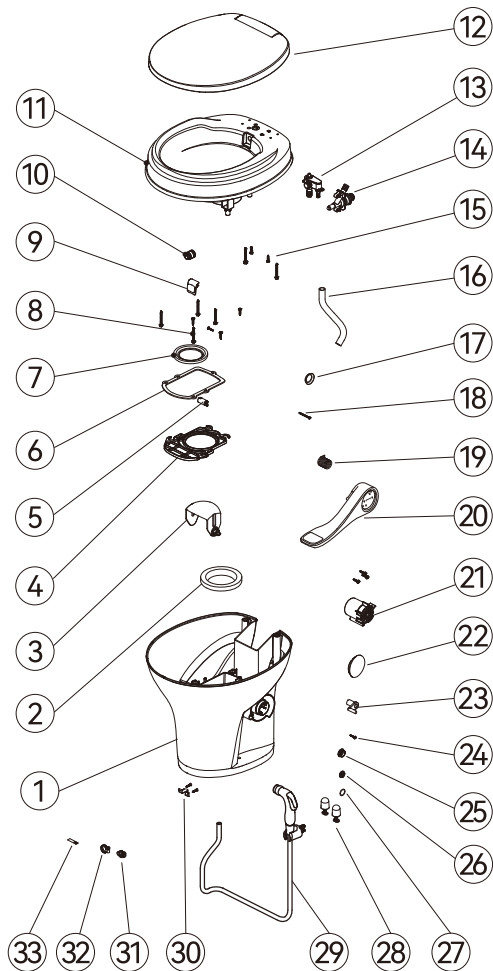
Removing the Water Valve Assembly

- ① Water Inlet Valve Assembly



In cold climates, be sure to follow the winterizing procedure in this manual to help avoid water valve failure.

EXPLODED VIEW



No.	Part Name	Quantity
1	Toilet base	1
2	Gasket	1
3	Drain valve	1
4	Shaped gasket	1
5	Connecting shaft	1
6	EVA gasket	1
7	Shaped gasket	1
8	Long Self-Tapping Screws	6
9	Nozzle	1
10	Connector	1
11	Upper shell	1
12	Seat assembly	1
13	Outlet valve group	1
14	Inlet valve group	1
15	Self-tapping screw	12
16	Pipe	1
17	Wear Pad	1
18	Self-tapping screws	1
19	Torsion Spring	1
20	Pedal assembly	1
21	Connection sleeve	1
22	Side gland	1
23	Cam adapter shaft	1
24	Self-tapping screw	4
25	Small Decorative Cover	1
26	Fixed sleeve	1
27	O-ring	1
28	Screw assembly	2
29	Handheld sprayer kit (SFRTPH-01-02)	1
30	Pipe clamp (SFRTPH-01-02)	1
31	Clamp	1
32	Clamp	1
33	Stainless steel insert	1

After a period of time, mineral deposits from hard water may build up on the flush ball or seal, resulting in a slow water leak. To prevent this, periodically clean the flush ball and seal.

2.1 Remove minor debris from the flush ball and seal by slowly depressing and releasing the flush pedal several times. This will loosen and rinse debris from the surfaces. Repeat several times for stubborn buildup.

2.2 If step 1 does not fully clean the ball and seal, clean with a soft bristle brush and toilet bowl cleaner.

– Fully clean the top of the flush ball and under the seal where it contacts the flush ball.

– After cleaning the underside of the seal, apply light, downward pressure to the top of the seal while brushing around the full perimeter of the seal.

While cleaning inside the base beneath the flush ball and seal, re-engage it into the pivot point.

3. Winterizing and Storing the Toilet

WARNING: POISON HAZARD.

Do not use automotive-type antifreeze (ethylene glycol) in freshwater systems. Failure to obey this warning could result in death or serious injury:

CAUTION: BODILY HARM HAZARD.

This toilet is not intended for use when exposed to temperatures below freezing. Failure to obey this caution could result in minor or moderate injury.

NOTICE: The toilet warranty expressly excludes coverage for any damages to the toilet or the vehicle that may occur due to improper winterization of the toilet. Freeze damage that results in leaks to the water valve is an indicator of improper winterization.

4. Non-toxic Antifreeze Winterization Method

4.1 Pour non-toxic antifreeze into the potable water tank according to the instructions from the antifreeze manufacturer.

4.2 Flush the toilet (several times) until the antifreeze has flowed completely through the toilet.

For toilets with a hand sprayer, the hand sprayer must be turned on for antifreeze to cycle through the sprayer.

MAINTENANCE

Properly cleaning, winterizing, and maintaining your toilet will increase its life span.

The toilet does not need to be removed from the vehicle (or unfastened from the floor) for basic repairs, like the flush ball seal replacement and water valve replacement.

1. Performing Routine Toilet Cleaning

– Use a non-abrasive bathroom and toilet bowl cleaner. Follow label instructions.

– For stubborn stains on toilet bowls, carefully use rubbing alcohol to wipe and remove the stain.

2. Cleaning the Flush Ball and Seal