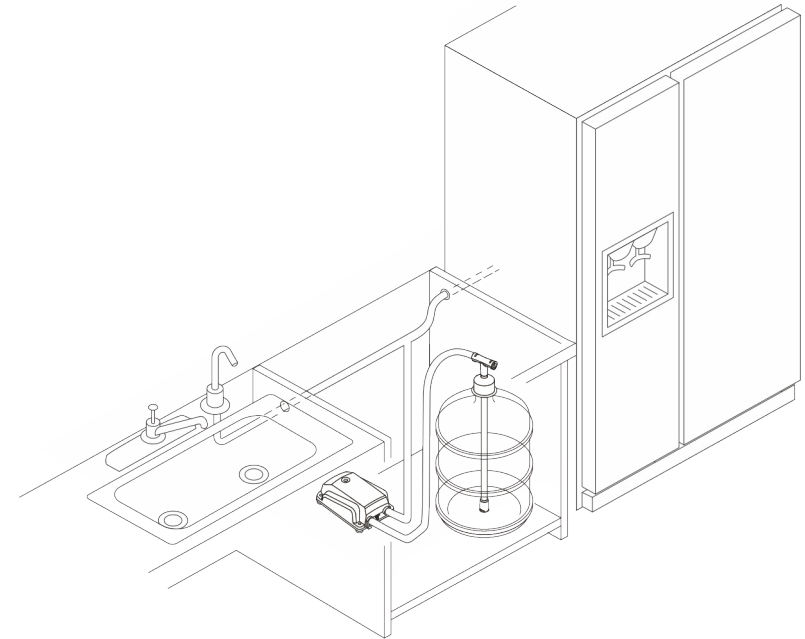


Bottled Water System

INSTALLATION MANUAL



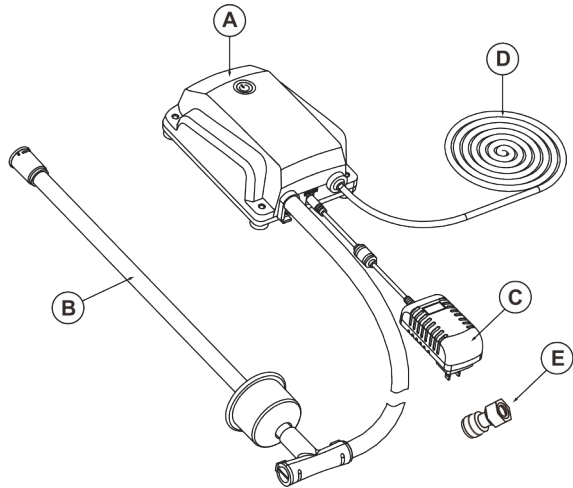
SEAFLO Bottled Water System is designed to pump purified water from commercially available purified water bottles. The system will deliver the water under pressure to an individual drinking water faucet, the water inlet of a refrigerator for the icemaker and chilled drinking water tap, to a faucet in portable sinks and to certain personal use and commercial use coffee / tea brewers / espresso machines.

An IC chip will turn on or off the pump depends on the level of water in a standard bottle. When there is enough water in the bottle, the IC chip will turn on the pump. And the pump shuts off when the bottle is empty. The wand has a built in back-flow preventor valve that prevents water in the system from flowing back into the bottle, or spilling while changing bottles.

The heart of the system is the main module that automatically fills an appliance or dispenses water through a faucet when there is demand. The system is also equipped with an over load protection.

COMPONENTS

- A. Main module with on/off switch.
- B. Suction wand and hose assembly.
- C. Wall power transformer.
- D. 20 ft (6.1m) of 1/4 in. (6.35mm) discharge tube.
- E. Connector: 7/16 in. 24 UNS thread to 1/4 in. quick attach.

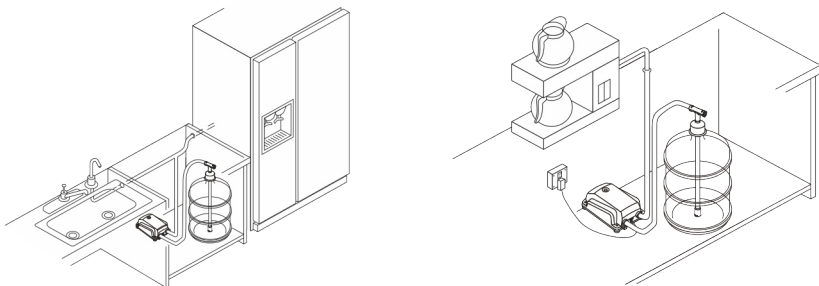


PLUMBING INSTALLATION

Select a suitable place to install:

Select a cabinet large enough to accommodate the bottle and suction wand assembly. Place the pump module on the floor of the cabinet with on/off switch and suction tube facing out toward the cabinet doors. Position as close as possible to a grounded electrical outlet and place bottle close to the pump module without kinking the suction hose.

The Bottled Water Dispensing System may also be placed in a pantry, closet, cellar or other location where a grounded electrical outlet is available.



TROUBLESHOOTING

System Will Not Dispense Water

- Check on/off switch position
- Check power to dispensing system
- Check location of suction wand in bottle
- Check for empty bottle
- Check for air in system

Discharge Tube Leaks at Fitting

- Push tube all the way into tube stop
- Remove tube and cut 1/4 in. (6.35 mm) off end, square and reinstall
- Check correct tube size in fitting, tube size is 1/4 in. (6.35 mm) O.D. Fitting 1/4 in. (6.35 mm) I.D.

System Gets Warm and Turns off

- Check for leaks in discharge tube
- Over load protection feature is activated due to excessive run time. This system is not for continuous duty applications

System Will Not Shut-Off

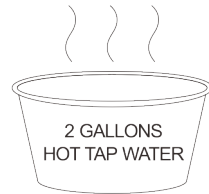
- Check for leaks in tubing system
- Check for leaks at tube fittings
- Check for leaks at faucet, ice maker or refrigerator water valve
- Check pressure switch by turning faucet off and on
- The Bottled Water Dispensing System may run dry 2 times for several seconds to detect the water level when the bottle is empty. If the system keep running dry for more than 30s, please turn the switch off and contact us for warranty

System Continually Turns Off and On While in Use

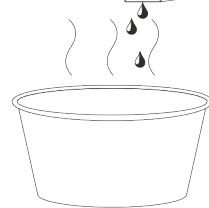
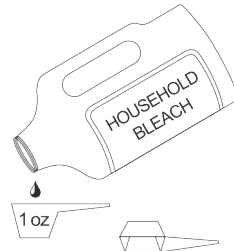
- Check for restriction device at appliance inlet
- Check for filter unit in line, remove if present
- Check for internal filters in the refrigerator, remove if present

Clean In-Place Procedure:

1. Turn Bottled Water Dispensing System off.
2. Fill a clean pail (A) with two (2) gallons of hot tap water (135°F/57.2°C), adding one (1) ounce of household bleach.
3. Remove the suction wand from the pure water bottle and submerge the bottle cap end into pail (A), taking care to ensure that the metal hose clamp connecting the hose to the suction wand(s) is/are totally immersed in the water/bleach solution, for ten minutes and then wash underside of cap and suction tube exterior with a clean paper towel. If using the optional SEAFLO faucet, disconnect the tubing. Remove the faucet, immersing it in the water/bleach solution for ten minutes. Wash the faucet exterior with clean paper towel; install the faucet and reconnect the tubing. Place suction wand into clean empty pail (B) and dispose of solution in pail (A).
4. Refill the cleaned pail (A) with two (2) gallons of hot tap water (135°F/57.2°C) adding one (1) ounce of household bleach and place suction wand(s) into pail with bottle cap up.
5. Disconnect the discharge tube from the faucet or the refrigerator and place into the empty second pail (B). (Do not use pail with clean water and chlorine solution).
6. Turn dispensing system on, by placing on/off switch in the "ON" position and dispense all of the chlorine solution into pail (B). Place discharge tube into pail (A) and dispose of bleach, and rinse pail (B). Replace tube into pail (B).
7. Refill pail (A) with two (2) gallons of hot tap water (135°F/ 57.2°C), adding one (1) ounce (29.57 ml) of household bleach. Dispense bleach as in step #6.
8. Reinstall suction wand(s) into new bottle(s) of pure water and reconnect discharge tube into refrigerator or faucet and dispense 12 to 18 ounces (355 ml to 532 ml) of water, or until bleach taste is removed.



CAUTION!
135°F (57.2°C) Maximum
Water Temperature

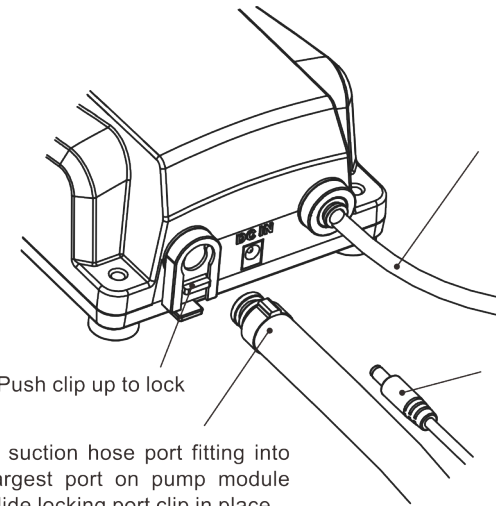


CAUTION!
Ensure that metal hose clamp is
immersed in water/bleach solution

CAUTION

DO NOT PLACE BOTTLED WATER DISPENSING SYSTEM INTO A DISHWASHER AS IT WILL CAUSE ELECTRICAL FAILURE OF PUMP AND CONTROLS.

Install the components to main module:

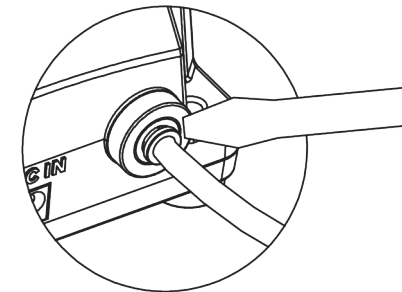


To install tube into out port. Push 1/4 in. discharge tubing all the way into quick connect port (as far as it will go).

Insert DC plug/connector into pump module "DC IN" port.

MAKE SURE PLUG / CONNECTOR IS INSERTED ALL THE WAY INTO THE CONNECTIONS. FAILURE TO INSERT FULLY WILL LEAD TO POOR OPERATION OR NO OPERATION.

Insert suction hose port fitting into the largest port on pump module and slide locking port clip in place.



To remove tube from out port:

1. Push tube all the way in.
2. Hold the ring against black port with finger or flat tool.
3. Pull tube out.

Install outlet hose:

There is 20 ft. (6.1 m) of 1/4 in. (6.35 mm) O.D. polyethylene tubing supplied with the SEAFLO Bottled Water Dispensing System. Carefully measure the distance between the pump module outlet and the appliance water inlet or optional faucet, and cut the tubing clean and square to prevent fitting leaks. If the refrigerator and faucet are being connected, use 1/4 in. (6.35 mm) tube "T" fitting (not included) and place it in an accessible location. Push the cleanly cut tubing end into the pump module outlet port, past the o-ring to tube stop. Route tubing to the refrigerator water valve and connect it to the water inlet valve in the back of the refrigerator by using the tube connector fitting. First slip nut over the tube, then place the ferrule over the tube, then install onto the refrigerator water valve fitting and tighten.

CAUTION

DO NOT USE COPPER TUBING WITH ANY MODEL OF SEAFLO BOTTLED WATER DISPENSING SYSTEMS.

ELECTRICAL

- ⚠ WARNING: RISK OF ELECTRICAL SHOCK! FOLLOW ALL LOCAL ELECTRICAL AND SAFETY CODES. MAKE SURE POWER SOURCE CONFORMS TO THE VOLTAGE ON THE POWER ADAPTER PROVIDED WITH THE BOTTLED WATER SYSTEM.**
- ⚠ WARNING: MAKE SURE THAT ALL CONNECTIONS ARE PERFORMED BY QUALIFIED INSTALLATION TECHNICIANS AND IN COMPLIANCE WITH THE REGULATIONS IN FORCE.**
- ⚠ WARNING: BEFORE STARTING WORK ON THE UNIT, MAKE SURE THAT THE UNIT AND THE CONTROL PANEL ARE ISOLATED FROM THE POWER SUPPLY AND CANNOT BE ENERGIZED.**

Check that the following requirements are met:

- The electrical leads are protected from high temperature, vibrations, and collisions.
- The current type and voltage of mains connection must correspond to the specifications on the data plate on the pump.

NOTE: The Bottled Water Dispensing System will at most run dry 2 times for several seconds to detect the water level when the bottle is empty. If the system keep running dry for more than 30s, please turn the switch off and contact us for warranty.

SUCTION WAND INSTALLATION

NOTE: Sanitize bottled water system and wand before inserting wand into bottle.

Before the Bottled Water Dispensing System is put into service, the system should be sanitized by following the maintenance and sanitation clean in-place procedure.

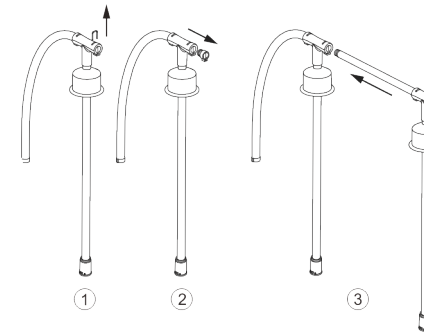
To install the suction wand into bottle, place bottle close to system and remove bottle cap, then install suction wand into bottle. (Note: If bottle is over filled, dispense enough water to allow the suction wand to be installed to the bottom of the bottle). Push suction wand bottle cap over bottle and push wand to bottom center of bottle.

Air Bleed before First Use

1. Connect power adapter to suitable AC power outlet. And connect low voltage connector to "DC IN" port on main module.
2. Power switch "ON".
3. Follow manufacturer's plumbing and operating instructions when connecting commercial coffee and tea brewers and refrigerators / ice makers.
4. **BLEED AIR FROM SYSTEM:** Turn pump switch "ON". Water will begin to flow. Operate the system for 30 seconds to 1 minute into a 2-1/2 gallon pail. When the air is successfully purged from the system, a steady laminar flow of water will stream out the end of the hose.

NOTE: Air bleed required only on start up. Changing bottles will not require air bleed.

EXTEND INLETS AND CHANGING BOTTLES

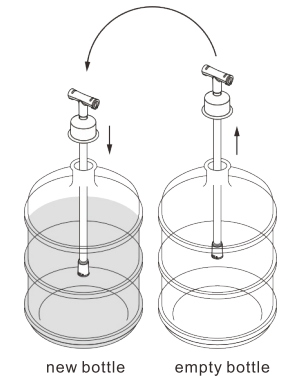


Step of extending inlets

- ① pull out the U-shape plug.
- ② take out the plug in the handle.
- ③ insert the connector and put U-shape plug back.

Before removing suction wand from empty bottle, move bottle to an open area outside of cabinet. Put new bottle next to empty bottle, clean neck and cap area with detergent, and remove cap. Remove suction wand from empty bottle by lifting wand cap with a rocking motion and pull cap off bottle, sliding suction wand out of the bottle and place directly into new bottle while sliding cap over new bottle neck.

Do not place suction wand on floor, counter, or sink as this could contaminate the suction wand assembly. If bottle is over filled, dispense enough water to allow the suction wand to be pushed to bottom of bottle.



MAINTENANCE AND SANITATION

Sanitize unit before first use. Cleaning should be performed at least six (6) times per year. System should be cleaned and flushed with fresh water if stagnant for more than 48 hours.

Equipment Required:

- Two (2) 2 1/2 Gallon (9.6L) Household Pails.
- One (1) Roll of Paper Towels.
- One (1) Small Container of Household Bleach.
- Gloves / Glasses.

⚠ WARNING: USE THE CORRECT STRENGTH OF BLEACH. IF TOO MUCH IS USED THEN THERE COULD BE TASTE ISSUES.