

# SEAFLO<sup>®</sup> CE

## 2 Position Battery Switch Operation and Installation Instructions

### Product Features:

- Continuous rating: 275Amps DC
- Intermittent rating: 455Amps DC
- Cranking rating: 1250Amps DC for 15 seconds
- Maximum Voltage: 50Volts DC
- Operation: Manual On/Off
- Operating range 8 to 50 Volts DC
- Ignition protected
- Stud Size: 2 X10mm(3/8")
- Copper studs and nuts

### Operation indication:

Rotate the knob anticlockwise to the off position, electric circuit is cut off in the position. Press the knob and continue to rotate clockwise to the position “on” , electric circuit is connected.

### Cable entry:

The back and side panels are removable to allow access for cables and links.

### Modular joining:

The 2 Position Battery Switch can be joined together using the supplied pegs. Two pegs are supplied with each switch.

### Mounting:

The 2 Position Battery Switch can be either flush or recess mounted (56mm, Ø 5.2mm 0.2" hole)

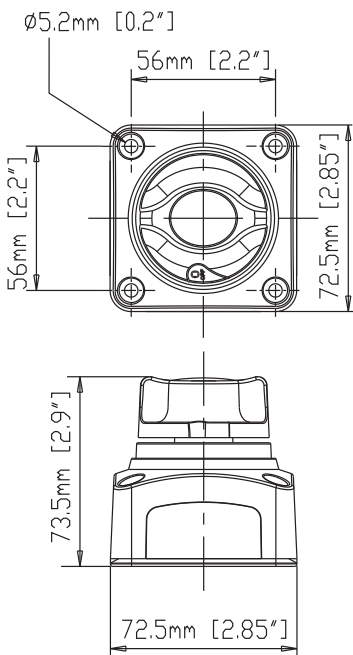
### Warning:

The terminal should be taped or covered when the switch is mounted in such a way that the terminals are exposed.

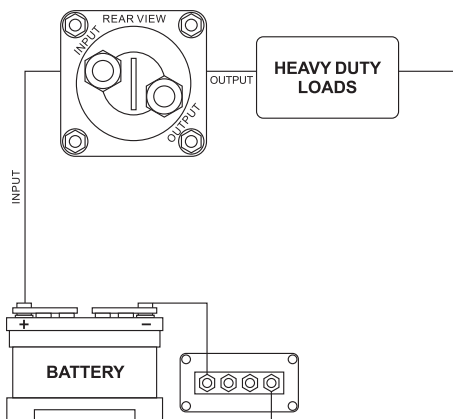
Do not turn the switch off when the engine is running.

Always stop the engine before switching to off position.

## Dimension



## Installation Diagram



It is important that the negative for this unit is taken from the same battery that the 2 battery switch is isolating. Failure to do this will cause the unit to work erratically. Only one negative must be supplied to each unit for correct operation.